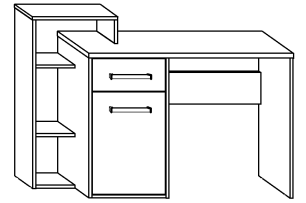




RIO-03 BIURKO L

→ 127↑89↘55

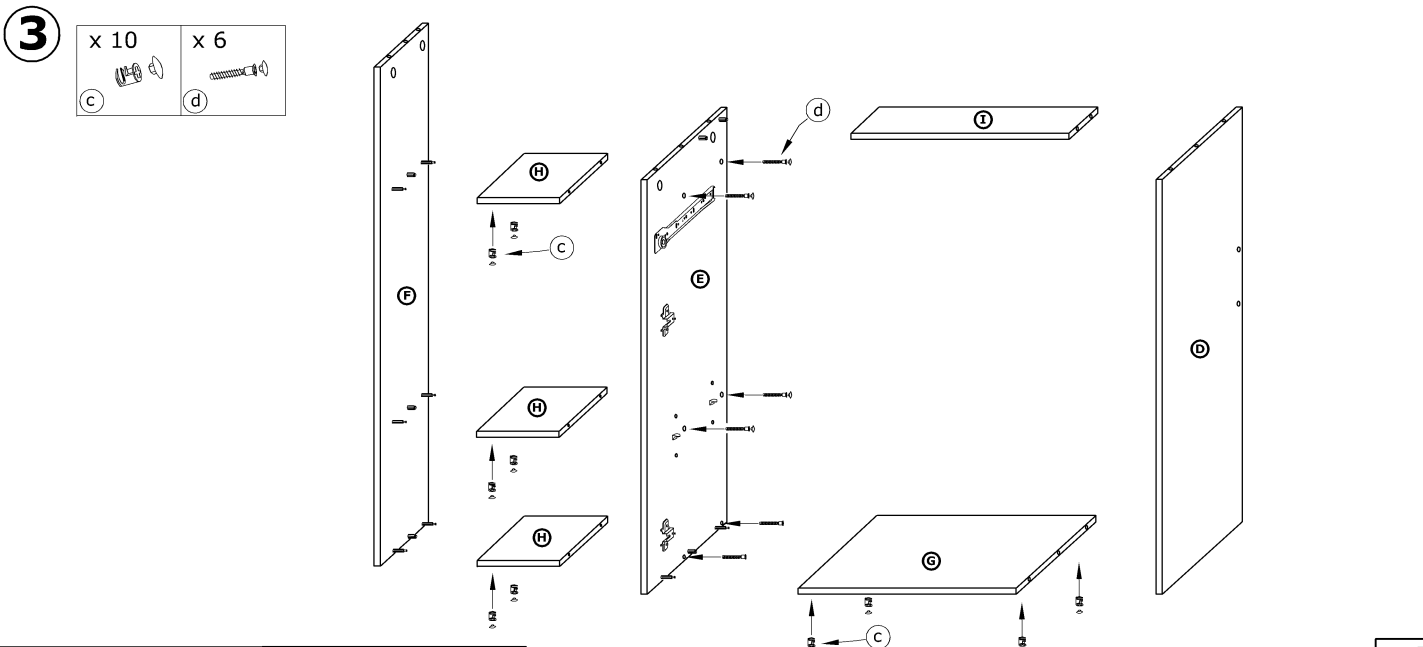
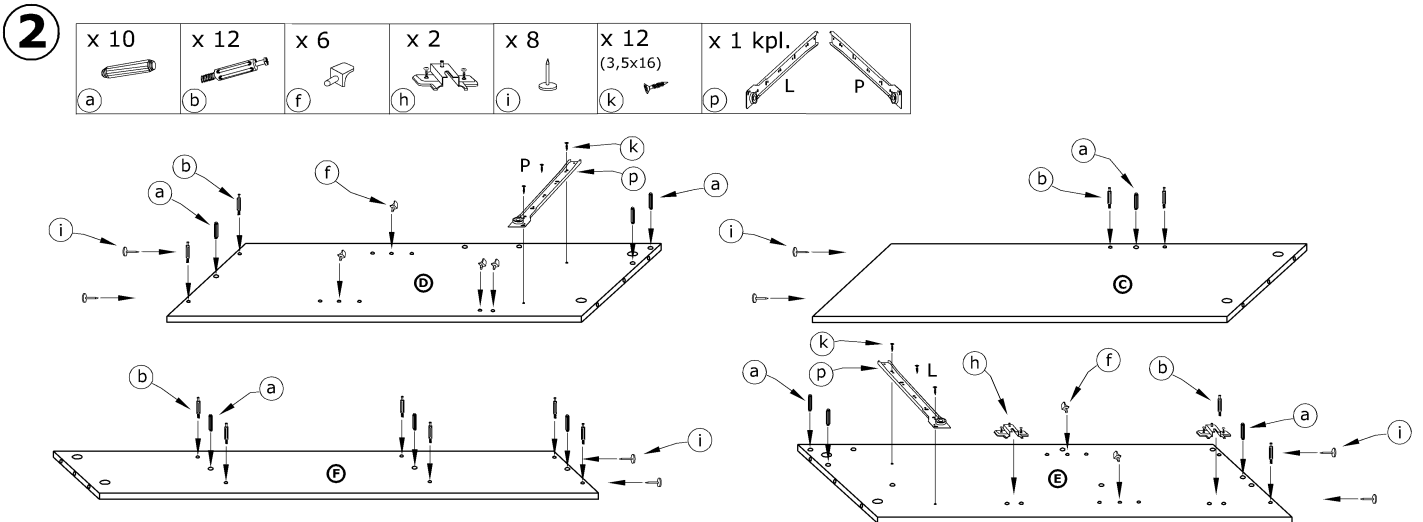
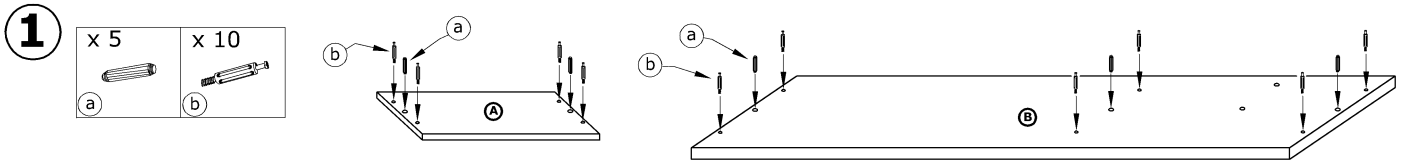


| | | | | | | | | | | |
|----------------------------|---------------|---------------|---------------|---------------------------|--------------------------|--|--|--------------|---------------|--------------|
| x 15 a | x 22 b | x 22 c | x 12 d | x 2 e | x 6 f | | | | | |
| x 2 g | x 2 h | x 8 i | x 2 j | x 16 (3,5x16) k | x 4 (3,5x30) l | | | x 2 m | x 35 n | x 1 o |
| x 1 kpl. (400 mm) p | | | | | | | | | | |



1 - FAZY MONTAŻU

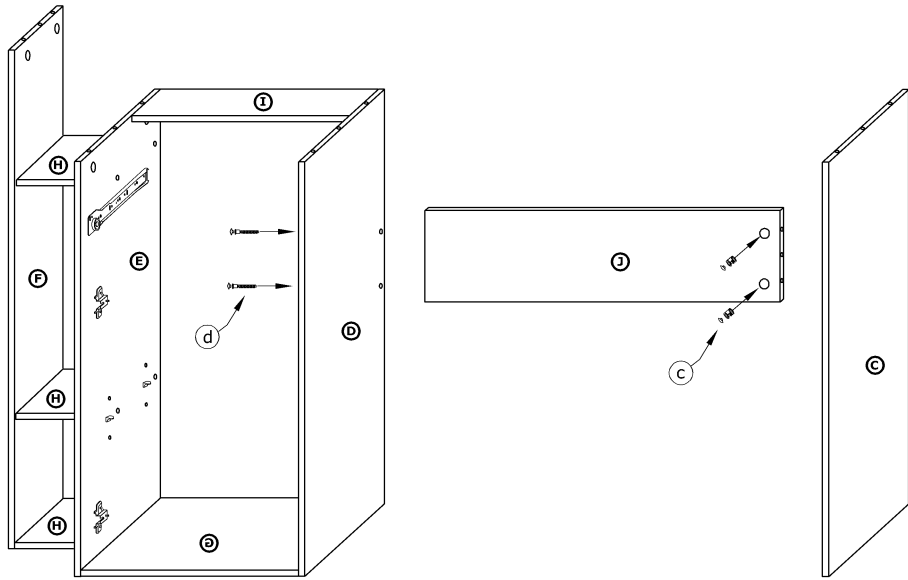
A - OZNACZENIE ELEMENTÓW

a - OZNACZENIE AKCESORIÓW





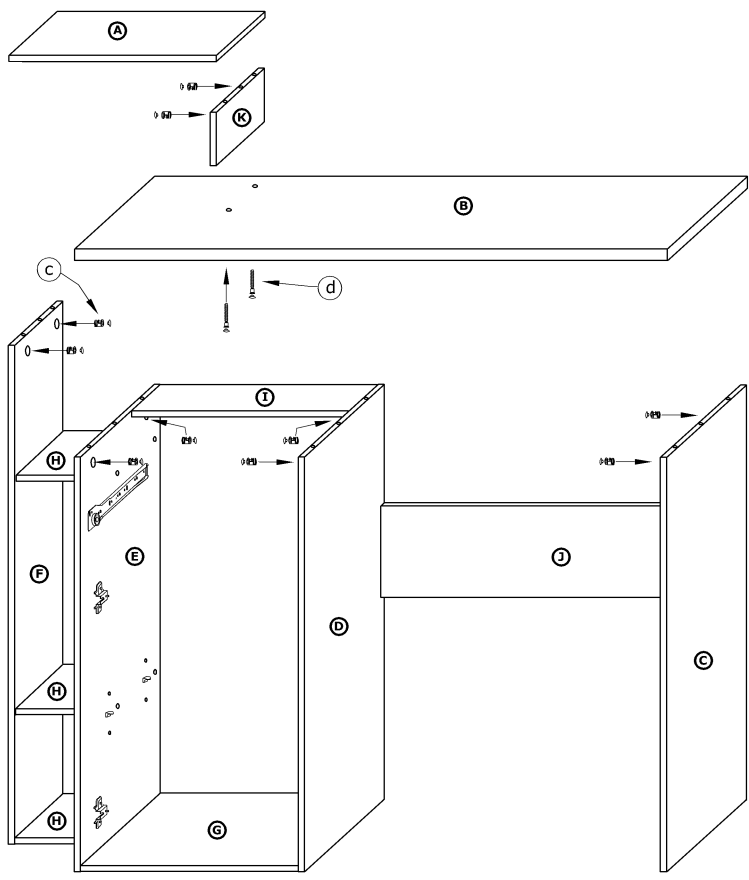
4

- x 2
- (c) 
- x 2
- (d) 



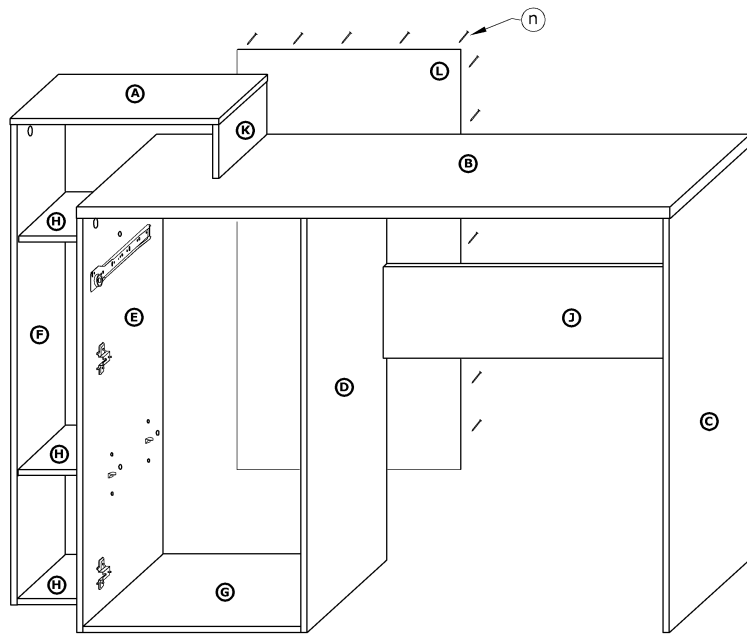
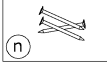
5

- x 10
- (c) 
- x 2
- (e) 

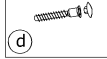


6

x 20

**7**

x 4



x 2



x 6

(3,5x16)



x 2

(3,5x30)



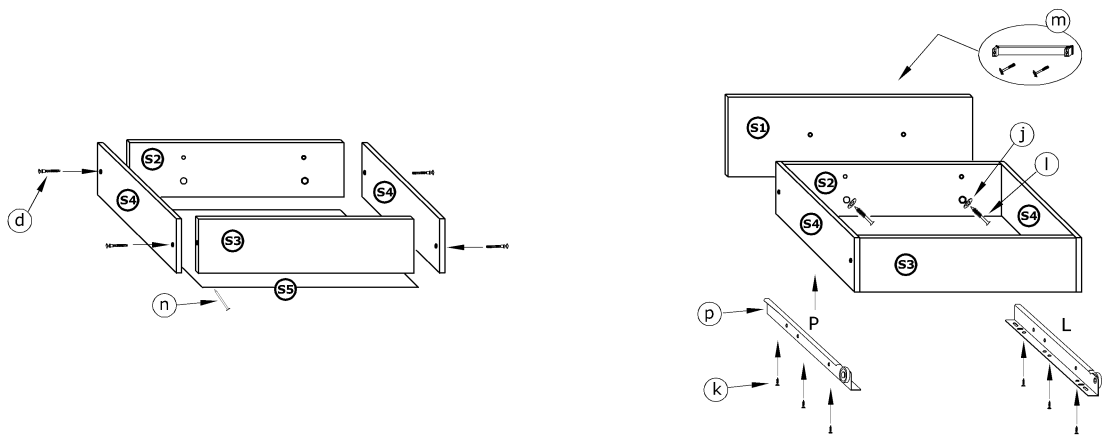
x 1



x 15



x 1 kpl.

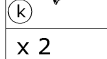
**8**

x 2



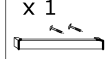
x 4

(3,5x16)



x 2

(3,5x30)



x 1

